

RE-717MC

Analogue Addressable Control Module



Product Overview:

RE-717MC Control Module facilitates third party devices to interface with Ravel make addressable panel. Control Module are the remote switching device to control 24V operating devices like Bells, Sounders, Strobes, etc. The required supply is drawn from a 24V power supply unit. The RED blinking LED indicates normal operating conditions and the steady state LED for activated conditions. DIP switches are provided for addressing of the module. The output circuit is supervised for faulty condition.

Special Features:

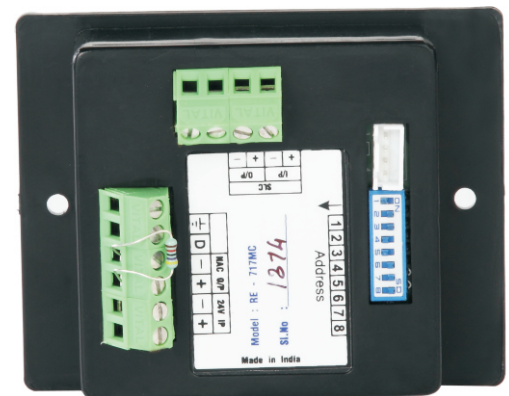
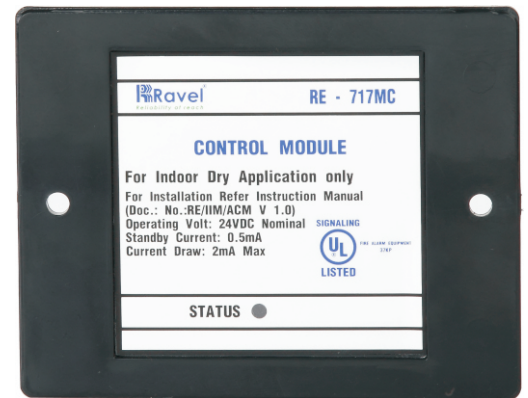
- Indian Manufacturer - International Standard.
- UL-Listed (9th Edition).
- Modular Construction.

Features:

- Supervised a Class 'B' Style 'Y' output circuit.
- Module Status by RED LED.
- Analogue Communication with the panel.
- Module Addressing by 8 way DIP switches.
- Low Standby Current.
- Available with suitable back boxes.

Electrical Specification:

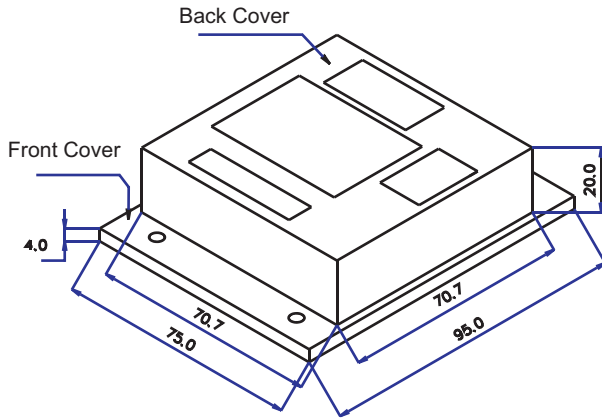
Operating Voltage	:	24 VDC Nominal.
Current Draw	:	2 mA Max.(Latched)
Standby Current	:	0.5 mA
End of Line Resistor	:	47K Ohms
Communication Line		
Loop Impedance	:	40 Ohms
Line Loss	:	4 VDC Max.
External Supply Voltage	:	Regulated 24V.
Max. Output Current Drive	:	1 Amps.(Supervised)
Operating Temperature	:	0°C to 49°C / 32°- 120°F
Relative Humidity	:	93 ± 2% RH (non-condensing) at 32 ±2° C / 90 ±3° F.



Mechanical Specification:

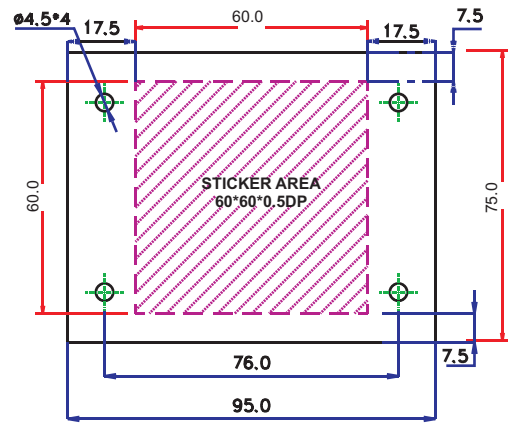
Dimensions : (95 W X 75 H X 24D) mm
 Color : Black
 Weight : 0.35 Kg

G.A.Diagram:

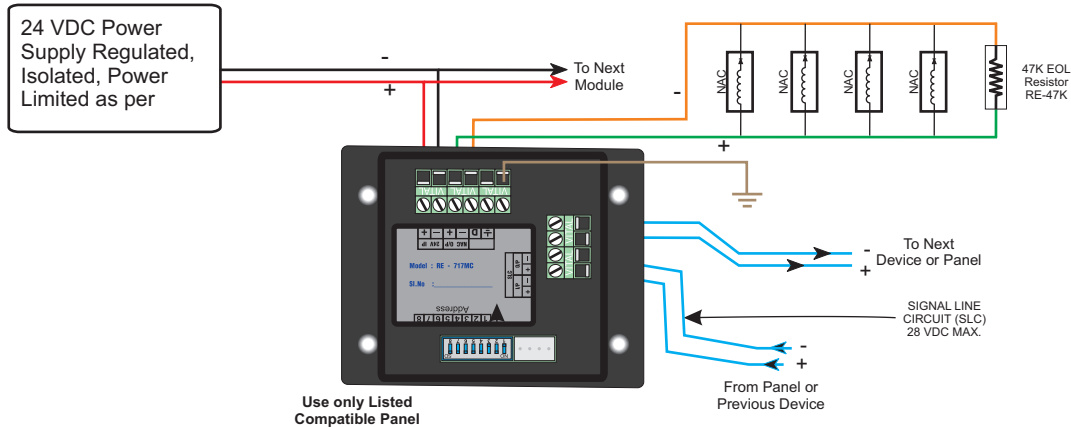


ALL DIMENSIONS ARE IN MM

Mounting Detail:



Wiring Configuration



NOTE:

- * D = NO CONNECTION
- * ALL WIRING SHOWN IS SUPERVISED AND POWER LIMITED

Compatible Devices:

MODELS	DESCRIPTION
Avani	Analogue Addressable Fire Alarm Control Panel

Ordering Information:

MODEL	DESCRIPTION
RE - 717MC	Analogue Addressable Control Module

*In the interest of improving quality and design, Ravel reserve the right to change the specification without prior notice.

India:

RAVEL ELECTRONICS PVT LTD.,
 (An ISO 9001 Company)
 150A, Electronics Industrial Estate, Perungudi, Chennai - 96 .India.
 E-Mail: marketing@ravelfire.com; Web : www.ravelfire.com

United Kingdom:

RAVEL ELECTRONICS LTD.,
 Unit 11, Chancel Industrial Estate, Newhall street,
 Willenhall WV13 1NX, West Midlands, United Kingdom.
 E-mail: info@ravelfire.co.uk ;Web: www.ravelfire.co.uk